

XMLG100D21

Electronic pressure sensors, Pressure sensors XM, sensor XMLG, 0...100 bar, G 1/4 A (male), 24 V, 4...20 mA



Main

| | |
|---------------------------|---|
| Range of Product | Telemecanique Pressure sensors XM |
| Product or Component Type | Electronic pressure sensors |
| Pressure sensor type | Pressure transmitter |
| Pressure sensor name | XMLG |
| Pressure Rating | 1450.38 psi (100 bar) |
| Fluid connection type | G 1/4A (male) DIN 3852-E |
| Controlled fluid | Air 5...257 °F (-15...125 °C) Corrosive fluid 5...257 °F (-15...125 °C) Hydraulic oil 5...257 °F (-15...125 °C) Fresh water 32...257 °F (0...125 °C) |
| Type of output signal | Analogue |
| Analogue output function | 4...20 mA, 2 wires |
| Electrical connection | 1 male connector M12, 3 pins |
| [Us] rated supply voltage | 12 V DC 8...33 V 24 V DC 8...33 V |
| Quantity per Set | Set of 1 |
| Type of Packing | Individual |
| Diameter | 0.90 in (22.8 mm) |

Complementary

| | |
|---|--|
| Pressure setting range | 0.00...1450.38 psi (0...100 bar) |
| Maximum permissible accidental pressure | 3263.35 psi (225 bar) |
| Destruction pressure | 3625.94 psi (250 bar) |
| Local display | Without |
| Electrical circuit type | Control circuit |
| Current Consumption | < 20 mA |
| Materials in contact with fluid | Ceramic Stainless steel type AISI 303 FPM (Viton) PPS |
| Operating position | Any position |
| Protection Type | Reverse polarity Load short-circuit |
| Surge withstand | 1 kV 42 Ohm EN/IEC 61000-4-5 500 kV 12 Ohm EN/IEC 61000-4-5 |
| [Uimp] rated impulse withstand voltage | 0.5 kV |
| Response time on output | < 2 ms |
| Drift of the sensitivity | +/- 0.015 % of measuring range/°C |
| Drift of the zero point | +/- 0.015 % of measuring range/°C |
| Measurement accuracy | +/- 0.3 % of the measuring range |
| Repeat accuracy | +/- 0.1 % of the measuring range |
| Mechanical durability | 10000000 cycles |
| Net Weight | 0.21 lb(US) (0.095 kg) |
| Height | 2.29 in (58.1 mm) |
| Length | 1.91 in (48.5 mm) |
| Scale type | Fixed differential |

The information provided in this documentation contains general descriptions and/or technical characteristics of the performance of the products contained herein. This documentation is not intended as a substitute for and is not to be used for determining suitability or reliability of these products for specific user applications. It is the duty of any such user or integrator to perform the appropriate and complete risk analysis, evaluation and testing of the products with respect to the relevant specific application or use thereof. Neither TWSS Holding nor any of its affiliates or subsidiaries shall be responsible or liable for misuse of the information contained herein.

Environment

| | |
|---------------------------------------|--|
| Standards | EN/IEC 61326-2-3 CE |
| Product Certifications | UL 508[RETURN]CSA C22.2 No 14[RETURN]EAC |
| Protective treatment | TC |
| Ambient Air Temperature for Operation | 5...185 °F (-15...85 °C) |
| Ambient Air Temperature for Storage | -40...185 °F (-40...85 °C) |
| Vibration resistance | 20 gn 9...2000 Hz)EN/IEC 60028-2-6 |
| Shock resistance | 25 gn 11 ms EN/IEC 60068-2-27 |
| Resistance to electrostatic discharge | 15 kV in air EN/IEC 61000-4-2 8 kV on contact EN/IEC 61000-4-2 |
| Resistance to electromagnetic fields | 182.88 V/m (200 V/m) 80...1000 Hz EN/IEC 61000-4-3 |
| Resistance to fast transients | 4 kV EN/IEC 61000-4-4 |
| Resistance to conducted disturbances | 30 V 0.15...80 Hz)EN/IEC 61000-4-6 |
| Resistance to magnetic fields | 98.43 A/m (30 A/m) 50 Hz EN/IEC 61000-4-8 |
| IP degree of protection | IP66 conforming to EN/IEC 60529 IP67 conforming to EN/IEC 60529 |
| NEMA Degree of Protection | NEMA 4 |

Ordering and shipping details

| | |
|-------------------|---------------|
| Category | US10DS221551 |
| Discount Schedule | ODS2 |
| GTIN | 3389110973242 |
| Returnability | No |
| Country of origin | CH |

Packing Units

| | |
|------------------------------|------------------------|
| Unit Type of Package 1 | PCE |
| Number of Units in Package 1 | 1 |
| Package 1 Height | 1.89 in (4.800 cm) |
| Package 1 Width | 4.17 in (10.600 cm) |
| Package 1 Length | 5.20 in (13.200 cm) |
| Package 1 Weight | 4.80 oz (136.0 g) |
| Unit Type of Package 2 | S02 |
| Number of Units in Package 2 | 12 |
| Package 2 Height | 5.91 in (15.000 cm) |
| Package 2 Width | 11.81 in (30.000 cm) |
| Package 2 Length | 15.75 in (40.000 cm) |
| Package 2 Weight | 4.30 lb(US) (1.950 kg) |

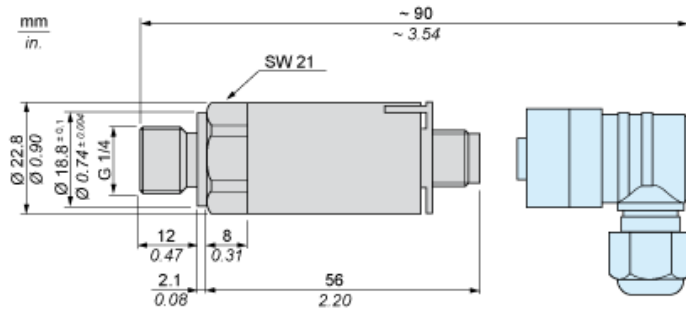
Offer Sustainability

| | |
|--|---|
| California proposition 65 | WARNING: This product can expose you to chemicals including: Diisononyl phthalate (DINP), which is known to the State of California to cause cancer, and Di-isodecyl phthalate (DIDP), which is known to the State of California to cause birth defects or other reproductive harm. For more information go to www.P65Warnings.ca.gov |
| For all Reach Rohs enquiries contact us at | sustainability@tesensors.com |

Contractual warranty

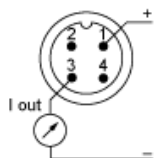
| | |
|----------|-----------|
| Warranty | 18 months |
|----------|-----------|

Dimensions



Wiring Diagram

2-Wire Technique (4-20 mA)



Output Curves

