



## Main

|                               |  |
|-------------------------------|--|
| Range of product              | Telemecanique Photoelectric sensors XU   |
| Series name                   | Application material handling            |
| Electronic sensor type        | Photo-electric sensor                    |
| Sensor name                   | XUV                                      |
| Sensor design                 | Fork                                     |
| Detection system              | Thru beam                                |
| Emission                      | Infrared                                 |
| Passage width                 | 30 mm                                    |
| Passage depth                 | 40 mm                                    |
| Material                      | Plastic                                  |
| Supply circuit type           | DC                                       |
| Wiring technique              | 3-wire                                   |
| Discrete output type          | PNP                                      |
| Discrete output function      | 1 NO                                     |
| Electrical connection         | Cable                                    |
| Cable length                  | 2 m                                      |
| Product specific application  | Detection of flags in lifts/transtockers |
| [Sn] nominal sensing distance | 30 mm                                    |

## Complementary

|                            |   |
|----------------------------|---|
| Enclosure material         | ABS/PC  |
| Lens material              | PMMA  |
| Type of output signal      | Discrete  |
| Output type                | Solid state                                       |
| Output function governance | Dark  |
| Cable composition          | 3 x 0.34 mm <sup>2</sup>                          |
| Wire insulation material   | PvR   |
| Cable outer diameter       | 5 mm  |
| Status LED                 | Output state: 1 LED (red)                         |
| [Us] rated supply voltage  | 24 V DC with reverse polarity protection          |
| Supply voltage limits      | 19...38 V DC                                      |
| Switching capacity in mA   | <= 150 mA (overload and short-circuit protection) |
| Switching frequency        | <= 1 kHz  |
| Maximum voltage drop       | <1.5 V (closed state)                             |
| Current consumption        | <= 20 mA no-load                                  |
| Maximum delay first up     | 30 ms   |
| Maximum delay response     | 0.5 ms  |
| Maximum delay recovery     | 0.5 ms  |
| Setting-up                 | Without sensitivity adjustment                    |
| Depth                      | 68 mm   |
| Height                     | 59 mm   |
| Width                      | 14 mm   |
| Net weight                 | 0.13 kg   |

## Environment

|                                       |   |
|---------------------------------------|---|
| Product certifications                | CE  |
| Ambient air temperature for operation | -5...55 °C  |
| Ambient air temperature for storage   | -20...70 °C   |
| Vibration resistance                  | 7 gn, amplitude = +/- 1 mm (f = 10...42 Hz) conforming to IEC 60068-2-6 |
| Shock resistance                      | 30 gn (duration = 11 ms) conforming to IEC 60068-2-27                   |
| IP degree of protection               | IP54 conforming to IEC 60529  |

## Packing Units

|                              |          |
|------------------------------|----------|
| Unit Type of Package 1       | PCE      |
| Number of Units in Package 1 | 1        |
| Package 1 Height             | 2.5 cm   |
| Package 1 Width              | 15.0 cm  |
| Package 1 Length             | 15.0 cm  |
| Package 1 Weight             | 100.0 g  |
| Unit Type of Package 2       | S02      |
| Number of Units in Package 2 | 25       |
| Package 2 Height             | 15.0 cm  |
| Package 2 Width              | 30.0 cm  |
| Package 2 Length             | 40.0 cm  |
| Package 2 Weight             | 2.834 kg |

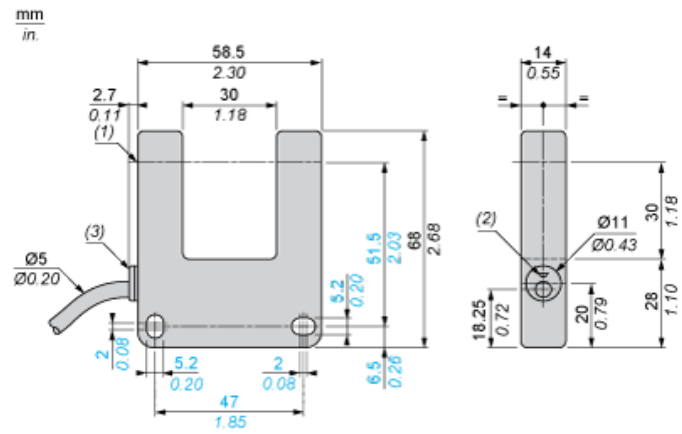
## Offer Sustainability

|  |   |
|--|---|
| Sustainable offer status                   | Green Premium product   |
| Environmental Disclosure                   | <a href="#">Product Environmental Profile</a>   |
| Circularity Profile                        | <a href="#">End of Life Information</a>   |
| California proposition 65                  | WARNING: This product can expose you to chemicals including: Diisononyl phthalate (DINP), which is known to the State of California to cause cancer, and Di-isodecyl phthalate (DIDP), which is known to the State of California to cause birth defects or other reproductive harm. For more information go to <a href="http://www.P65Warnings.ca.gov">www.P65Warnings.ca.gov</a> |
| For all Reach Rohs enquiries contact us at | <a href="mailto:sustainability@tesensors.com">sustainability@tesensors.com</a>  |

## Contractual warranty

|          |           |
|----------|-----------|
| Warranty | 18 months |
|----------|-----------|

Dimensions



- (1) Optical axis
- (2) Red LED
- (3) Diffuser

---

## Wiring Schemes (3-Wire DC)

---

### NO Function

PNP Output



BN : Brown  
BK : Black  
BU : Blue

---

## Detection Curve

---

$\frac{\text{mm}}{\text{in.}}$

