


Part number

# JNEF 24



#### Product description

<b>Model</b>	female insert
<b>Version</b>	screw terminal connections
<b>Series</b>	JNE
<b>Product type</b>	with female contacts
<b>Variant</b>	with plate
<b>Family</b>	JEI inserts
<b>Size</b>	size "104.27"
<b>N. of poles</b>	24 poles + 

#### Technical data

<b>Current</b>	16 A (A.C. and D.C.)
<b>Voltage</b>	500 V
<b>Rated impulse withstand voltage</b>	6kV
<b>Pollution degree</b>	3
<b>Wire cross-section</b>	0,50 mm <sup>2</sup> - 4,00 mm <sup>2</sup>
<b>AWG size</b>	20 - 12
<b>Operating temperature range (min, max)</b>	-40°C ... +125°C
<b>Contact type</b>	tin plated
<b>Mating cycles</b>	≥ 200
<b>IP degree of protection</b>	IP20 without enclosure; IP65/IP66/IP67/IP68 with enclosure
<b>PE wire cross-section</b>	0,14 - 4 mm <sup>2</sup> ; AWG 20 - 12

#### Further technical details

<b>Characteristics according to EN 61984</b>	16A 500V 6kV 3; 16A 400/690V 6kV 2
<b>Insulation resistance</b>	≥ 10 GΩ
<b>Rated voltage according to UL/CSA</b>	600V
<b>UL 94 flammability rating</b>	V-0
<b>Weight</b>	134,00 g

#### Approvals / Standards

<b>Reference standard</b>	EN 61984 (2001-11)
<b>Quality mark</b>	   EAC
<b>Conformity</b>	CQC, CE

#### General ordering information

<b>EAN13 code</b>	8015747204408
<b>Tariff number</b>	85369095

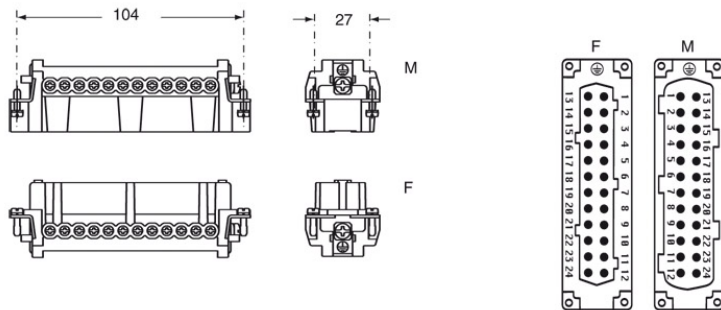
#### Packaging Information

<b>Packaging length</b>	450,00 mm
<b>Packaging height</b>	175,00 mm
<b>Packaging width</b>	230,00 mm
<b>Packaging weight</b>	9,84 kg
<b>Packaging volume</b>	18,11 dm <sup>3</sup>
<b>Packaging description</b>	Carton box
<b>Packaging quantity</b>	80 Pcs
<b>Packaging EAN code</b>	8015747204552
<b>Sub-packaging weight</b>	0,62 kg
<b>Sub-packaging description</b>	Carton
<b>Sub-packaging quantity</b>	5 Pcs
<b>Sub-packaging EAN barcode</b>	8015747204569

# Part number JNEF 24



## Catalogue drawings



## Notes

- for non-prepared conductors
- inserts with plate for section conductors:  
0.5 ÷ 4 mm<sup>2</sup> - AWG 20 ÷ 12
- conductors stripping length: 7 mm
- terminal screw torque: 0.5 Nm

