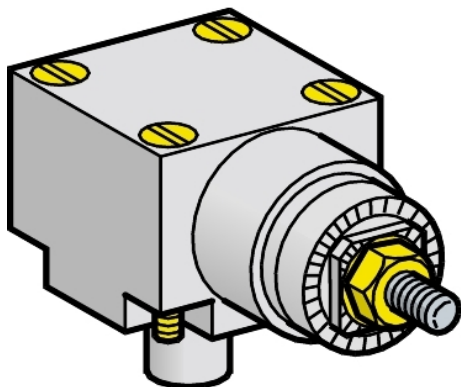


ZCKE096

Limit switch head, Limit switches XC Standard, ZCKE, w/o lever stay put left and right actuation, -40 °C



Main

Range of product	Telemecanique Limit switches XC Standard
Series name	Standard format
Product or component type	Limit switch head
Device short name	ZCKE
Head type	Rotary head
Product compatibility	XCKJ
Associated body	ZCKJD31 ZCKJ1H29 ZCKJD31H7 ZCKJ9 ZCKJ11H7 ZCKJD39H29 ZCKJD39 ZCKJ21H7 ZCKJ21H29 ZCKJ1 ZCKJ2H7 ZCKJ21 ZCKJ2H29 ZCKJ9H29 ZCKJ11 ZCKJ11H29 ZCKJ1H7 ZCKJ2 ZCKJD31H29 ZCKJD39H7 ZCKJ9H7
Movement of operating head	Rotary
Type of operator	Stay put without operating lever stay put
Type of approach	Lateral approach, 2 directions

Complementary

Switch actuation	From left and right
Positive opening	With
Net weight	0.19 kg
Head material	Metal

Environment

Ambient air temperature for operation	-40...70 °C
Ambient air temperature for storage	-40...70 °C
Environmental characteristic	Low temperature

Packing Units

Unit Type of Package 1	PCE
Number of Units in Package 1	1
Package 1 Height	4.000 cm
Package 1 Width	4.600 cm
Package 1 Length	8.400 cm
Package 1 Weight	196.000 g
Unit Type of Package 2	S02

Number of Units in Package 2	50
Package 2 Height	15 cm
Package 2 Width	30 cm
Package 2 Length	40 cm
Package 2 Weight	10.201 kg

Offer Sustainability

Sustainable offer status	Green Premium product
Circularity Profile	No need of specific recycling operations
California proposition 65	WARNING: This product can expose you to chemicals including: Diisononyl phthalate (DINP), which is known to the State of California to cause cancer, and Di-isodecyl phthalate (DIDP), which is known to the State of California to cause birth defects or other reproductive harm. For more information go to www.P65Warnings.ca.gov
For all Reach Rohs enquiries contact us at	sustainability@tesensors.com

Contractual warranty

Warranty	18 months
----------	-----------