

Part number

CHO 32 L



Hood, C-TYPE series, with 2 pegs, Pg36 side cable entry, size "77.62"

Product description

Product type	Hood
Series	C-TYPE
Closing type	With 2 pegs
Size	Size 77.62
Cable entry	Side cable entry with adapter Pg36

Technical data

IP degree of protection	IP65 / IP66 / IP69
Further technical details	
Weight	426,00 g
Operating temperature range (min, max)	-40°C...+125°C

Material properties

Colour	RAL 7040 grey
RoHs conformity	Compliant with exemption 6(c): copper alloy containing up to 4% lead by weight
China RoHs - EFUP	50
REACH SVHC substances	Yes Lead
SCIP number	15deaf78-e939-4401-a0b0-e2228ca32a03
Approvals / Standards	
Certifications	DNV, BV
UL	ECBT2
cUL	ECBT8

General ordering information

EAN13 code	8015747020206
-------------------	---------------

Packaging Information

Packaging length	370,00 mm
Packaging height	140,00 mm
Packaging width	210,00 mm
Packaging weight	3,65 kg
Packaging volume	10,88 dm ³
Packaging description	Carton box
Packaging quantity	8 Pcs
Packaging EAN code	8015747020213
Sub-packaging weight	0,46 kg
Sub-packaging description	Plastic packaging
Sub-packaging quantity	1 Pcs
Sub-packaging EAN barcode	8015747020220

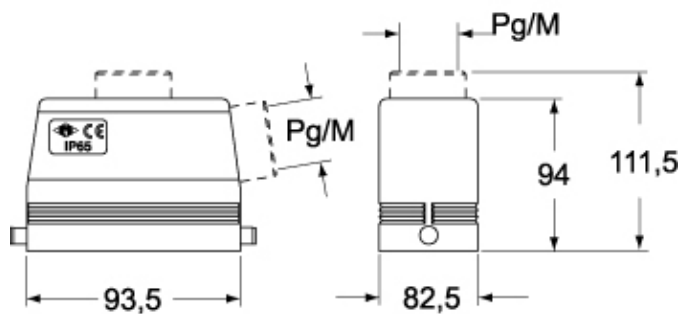
Part number

CHO 32 L

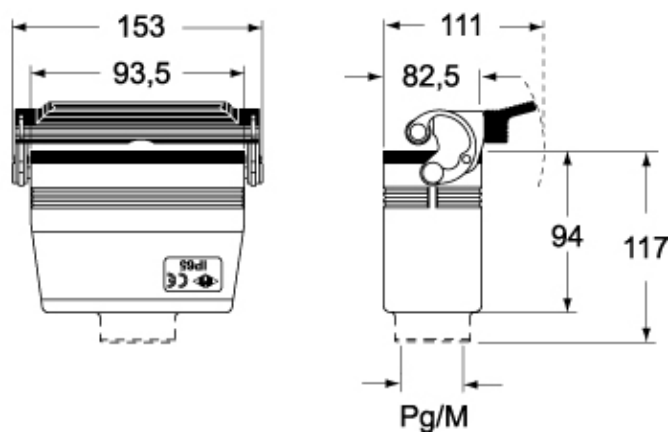


Catalogue drawings

CHO L - CHV L MHO/MFO/MFV L - MHV L



CHV LG - MHV LG - MFV LG



Notes

Dimensions shown in mm are not binding and may be changed without notice.