



## Main

Range of product	Telemecanique Photoelectric sensors XU
Series name	Application material handling
Electronic sensor type	Photo-electric sensor
Sensor name	XUJ
Sensor design	Compact
Detection system	Diffuse
Material	Plastic
Line of sight type	Axial
Type of output signal	Analogue
Supply circuit type	DC
Wiring technique	3-wire
Discrete output type	PNP
Analogue output range	4...20 mA
Electrical connection	Screw-clamp terminals, 1 x 2.5...2 x 1.5 mm <sup>2</sup>
Product specific application	-
Emission	Infrared diffuse
[Sn] nominal sensing distance	0.2...0.8 m diffuse

## Complementary

Enclosure material	PEI
Maximum sensing distance	0.8 m
Output type	Solid state
Add on output	With analogue output
Wire insulation material	PVC
Status LED	1 LED (yellow) for output state
[Us] rated supply voltage	12...24 V DC
Supply voltage limits	20...30 V DC
Output voltage	0...10 V DC
Switching capacity in mA	<= 100 mA (overload and short-circuit protection)
Switching frequency	<= 250 Hz
Maximum voltage drop	<1.5 V (closed state)
Current consumption	<= 35 mA no-load
Maximum delay first up	15 ms
Maximum delay response	2 ms
Maximum delay recovery	2 ms
Setting-up	Without sensitivity adjustment
Depth	50 mm
Height	50 mm
Width	18 mm
Net weight	0.07 kg

## Environment

Product certifications	CE[RETURN]UL[RETURN]CSA
Ambient air temperature for operation	-25...55 °C
Ambient air temperature for storage	-40...70 °C
Vibration resistance	7 gn, amplitude = +/- 1.5 mm (f = 10...55 Hz) conforming to IEC 60068-2-6
Shock resistance	30 gn (duration = 11 ms) conforming to IEC 60068-2-27
IP degree of protection	IP65 double insulation conforming to IEC 60529

## Packing Units

Unit Type of Package 1	PCE
Number of Units in Package 1	1
Package 1 Height	4.7 cm
Package 1 Width	11.1 cm
Package 1 Length	16.5 cm
Package 1 Weight	214.0 g
Unit Type of Package 2	S02
Number of Units in Package 2	12
Package 2 Height	15.0 cm
Package 2 Width	30.0 cm
Package 2 Length	40.0 cm
Package 2 Weight	2.89 kg

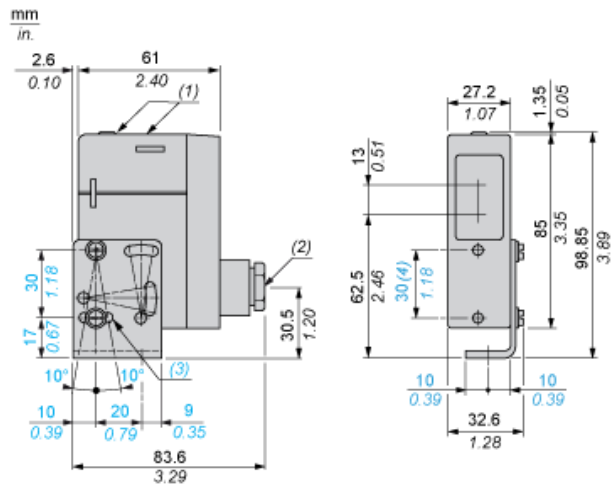
## Offer Sustainability

California proposition 65	WARNING: This product can expose you to chemicals including: Diisononyl phthalate (DINP), which is known to the State of California to cause cancer, and Di-isodecyl phthalate (DIDP), which is known to the State of California to cause birth defects or other reproductive harm. For more information go to <a href="http://www.P65Warnings.ca.gov">www.P65Warnings.ca.gov</a>
For all Reach Rohs enquiries contact us at	<a href="mailto:sustainability@tesensors.com">sustainability@tesensors.com</a>

## Contractual warranty

Warranty	18 months
----------	-----------

Dimensions

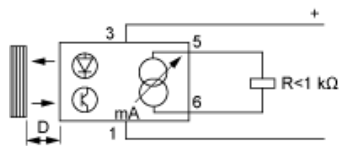


- (1) LED
- (2) 11P cable gland
- (3) 1 elongated hole  $\text{Ø} 4.2 \times 14$
- (4) Front fixing ( $\text{Ø} 4$  screws and inserts included)

## Wiring Schemes

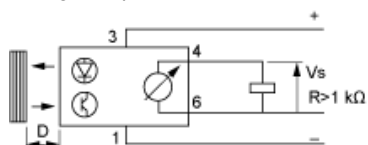
### Diffuse System

#### Current Output



- 1: (-)
- 3: (+)
- 5: Output current
- 6: (-)

#### Voltage Output

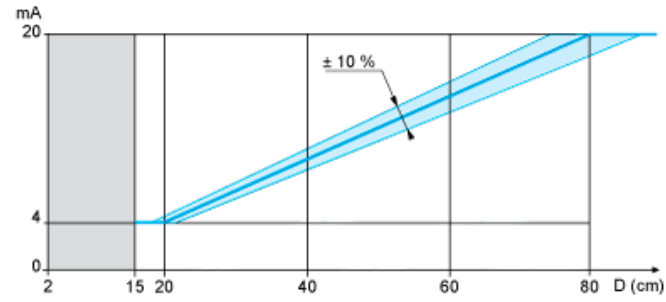


- 1: (-)
- 3: (+)
- 4: Output voltage
- 6: (-)

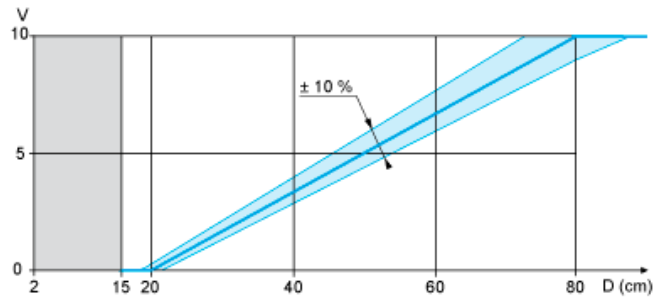
Curves

Output Signal (Related to Distance of Object). Test Performed with 20 x 20 cm, White 90% Object

Output Current



Output Voltage



(1)

(1) Forbidden zone