

XY2CH13250

Latching emergency stop rope pull switch,
Telemecanique rope pull switches XY2C, e
XY2CH, 1NC+1 NO, booted pushbutton



Main

| | |
|---------------------------|--|
| Range of Product | Telemecanique Emergency stop rope pull switches XY2C |
| Product or Component Type | Latching emergency stop rope pull switch |
| Device short name | XY2CH |
| Housing colour | Red RAL 3000 |
| Overtoltage category | Class I EN/IEC 61140 Class I NF C 20-030 |

Complementary

| | |
|--|---|
| Local signalling | Without pilot light |
| Number of cables | 1 |
| Trigger cable maximum length | 98.43 ft (30 m) |
| Body material | Zamak |
| Cover Material | Stainless steel |
| Reset | By booted push-button |
| Contacts type and composition | 1 NC + 1 NO |
| Contact operation | Slow-break |
| Trigger cable anchor point | RH or LH side |
| Connections - terminals | Screw clamp terminal, 1 x 0.5...2 x 1.5 mm ² |
| Tightening torque | 7.08...10.62 lbf.in (0.8...1.2 N.m) |
| Cable entry number | 3 tapped entry Pg 13.5 cable gland |
| Safety level | Can reach PL = e with the appropriate monitoring system and correctly wired EN/ISO 13849-1 Can reach category 4 with the appropriate monitoring system and correctly wired EN/ISO 13849-1 Can reach SIL 3 with the appropriate monitoring system and correctly wired EN/IEC 61508 |
| Safety reliability data | B10d = 4000000 value given for a life time of 20 years limited by mechanical or contact wear IEC 60947-5-5 |
| Marking | CE |
| Mechanical durability | 800000 cycles |
| Distance between cable supports | 16.40 ft (5 m) |
| [Ie] rated operational current | 3 A 240 V, AC-15, A300 EN/IEC 60947-5-1 appendix A 0.27 A 250 V, DC-13, Q300 EN/IEC 60947-5-1 appendix A |
| [Ithe] conventional enclosed thermal current | 10 A |
| [Ui] rated insulation voltage | 500 V 3)EN/IEC 60947-1 300 VUL 508 |
| [Uimp] rated impulse withstand voltage | 6 kV EN/IEC 60947-1 |
| Positive opening | With EN/IEC 60947-5-1 |
| Maximum resistance across terminals | 25 MOhm EN/IEC 60255-7 category 3 25 MOhm NF C 93-050 method A |
| Short-circuit protection | 10 A cartridge fuse gG EN/IEC 60269 |
| Terminals description ISO n°1 | (13-14)NO (21-22)NC |
| Net Weight | 1.91 lb(US) (0.865 kg) |
| Compatibility code | XY2CH |

Environment

| | |
|---------------------------------------|--|
| Standards | EN/IEC 60947-5-1 EN/IEC 60204-1 Machinery directive 2006/42/EC EN/IEC 60947-5-5 EN/ISO 13850 Work equipment directive 2009/104/EC |
| Product certifications | UL category NISD emergency stop devices CCC |
| Protective treatment | TC |
| Ambient air temperature for operation | -13...158 °F (-25...70 °C) |
| Ambient Air Temperature for Storage | -40...158 °F (-40...70 °C) |
| Vibration resistance | 10 gn 10...150 Hz)EN/IEC 60068-2-6 |
| Shock resistance | 50 gn 11 ms EN/IEC 60068-2-27 |
| IP degree of protection | IP65 IEC 60529 |

Ordering and shipping details

| | |
|-------------------|---------------|
| Category | US1000T22441 |
| Discount Schedule | 000T |
| GTIN | 3389110562316 |
| Returnability | Yes |
| Country of origin | US |

Packing Units

| | |
|------------------------------|-------------------------|
| Unit Type of Package 1 | PCE |
| Number of Units in Package 1 | 1 |
| Package 1 Height | 3.62 in (9.2 cm) |
| Package 1 Width | 3.15 in (8.0 cm) |
| Package 1 Length | 7.72 in (19.6 cm) |
| Package 1 Weight | 2.23 lb(US) (1.01 kg) |
| Unit Type of Package 2 | S03 |
| Number of Units in Package 2 | 10 |
| Package 2 Height | 11.81 in (30.0 cm) |
| Package 2 Width | 11.81 in (30.0 cm) |
| Package 2 Length | 15.75 in (40.0 cm) |
| Package 2 Weight | 23.48 lb(US) (10.65 kg) |
| Unit Type of Package 3 | P06 |
| Number of Units in Package 3 | 80 |
| Package 3 Height | 30.31 in (77.0 cm) |
| Package 3 Width | 31.50 in (80.0 cm) |
| Package 3 Length | 23.62 in (60.0 cm) |
| Package 3 Weight | 206.57 lb(US) (93.7 kg) |

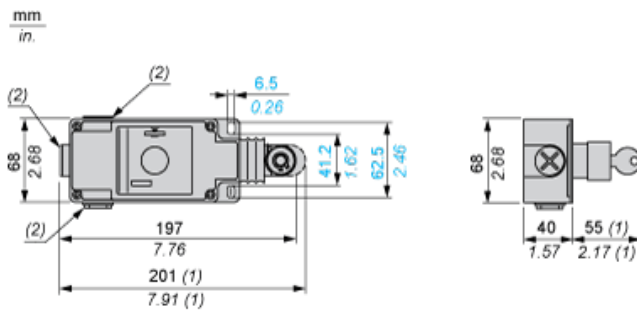
Offer Sustainability

| | |
|--|---|
| Sustainable offer status | Green Premium product |
| California proposition 65 | WARNING: This product can expose you to chemicals including: Diisononyl phthalate (DINP), which is known to the State of California to cause cancer, and Di-isodecyl phthalate (DIDP), which is known to the State of California to cause birth defects or other reproductive harm. For more information go to www.P65Warnings.ca.gov |
| Circularity Profile | No need of specific recycling operations |
| For all Reach Rohs enquiries contact us at | sustainability@tesensors.com |

Contractual warranty

| | |
|----------|-----------|
| Warranty | 18 months |
|----------|-----------|

Dimensions



- (1) Maximum extension.
- (2) Tapped entry for n° 13 (Pg 13.5) cable entry

Electrical Curves

AC Supply 50/60 Hz Inductive Circuit

2-pole Contact Block



Y Millions of operating cycles
X Current in A

DC Supply Power Broken in for 1 Million Operating Cycles Inductive Circuit

| | | | | |
|-----------|---|----|----|-----|
| Voltage | V | 24 | 48 | 120 |
| <i>mm</i> | W | 13 | 9 | 7 |