


Part number
JNEM 24



Product description

Model	male insert
Version	screw terminal connections
Series	JNE
Product type	with male contacts
Variant	with plate
Family	JEI inserts
Size	size "104.27"
N. of poles	24 poles + 

Technical data

Current	16 A (A.C. and D.C.)
Voltage	500 V
Rated impulse withstand voltage	6kV
Pollution degree	3
Wire cross-section	0,50 mm ² - 4,00 mm ²
AWG size	20 - 12
Operating temperature range (min, max)	-40°C ... +125°C
Contact type	tin plated
Mating cycles	≥ 200
IP degree of protection	IP20 without enclosure; IP65/IP66/IP67/IP68 with enclosure
PE wire cross-section	0,14 - 4 mm ² ; AWG 20 - 12

Further technical details

Characteristics according to EN 61984	16A 500V 6kV 3; 16A 400/690V 6kV 2
Insulation resistance	≥ 10 GΩ
Rated voltage according to UL/CSA	600V
UL 94 flammability rating	V-0
Weight	128,00 g

Approvals / Standards

Reference standard	EN 61984 (2001-11)
Quality mark	   EAC
Conformity	CQC, CE

General ordering information

EAN13 code	8015747204460
Tariff number	85369095

Packaging Information

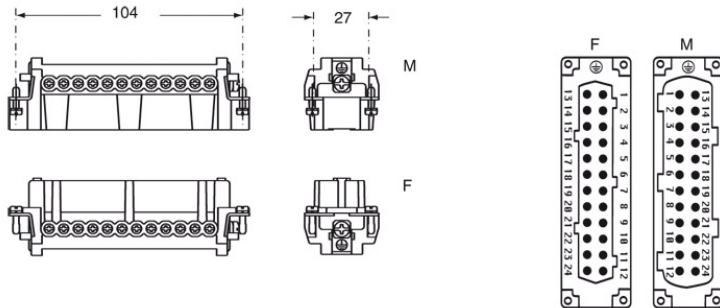
Packaging length	450,00 mm
Packaging height	175,00 mm
Packaging width	230,00 mm
Packaging weight	9,40 kg
Packaging volume	18,11 dm ³
Packaging description	Carton box
Packaging quantity	80 Pcs
Packaging EAN code	8015747204675
Sub-packaging weight	0,59 kg
Sub-packaging description	Carton
Sub-packaging quantity	5 Pcs
Sub-packaging EAN barcode	8015747204682

Part number

JNEM 24



Catalogue drawings



Notes

- for non-prepared conductors
- inserts with plate for section conductors:
0.5 ÷ 4 mm² - AWG 20 ÷ 12
- conductors stripping length: 7 mm
- terminal screw torque: 0.5 Nm

