

Part number

CHO 48 L



Hood, C-TYPE series, with 2 pegs, Pg36 side cable entry, size "104.62"



Product description

Product type	Hood
Series	C-TYPE
Closing type	With 2 pegs
Size	Size 104.62
Cable entry	Side cable entry with adapter Pg36

Technical data

IP degree of protection IP65 / IP66 / IP69

Further technical details

Weight	590,50 g
Operating temperature range (min, max)	-40°C...+125°C

Material properties

Colour	RAL 7040 grey
RoHs conformity	Compliant with exemption 6(c): copper alloy containing up to 4% lead by weight
China RoHs - EFUP	50
REACH SVHC substances	Yes Lead
SCIP number	15deaf78-e939-4401-a0b0-e2228ca32a03

Approvals / Standards

Certifications	DNV, BV
UL	ECBT2
cUL	ECBT8

General ordering information

EAN13 code 8015747020374

Packaging Information

Packaging length	290,00 mm
Packaging height	140,00 mm
Packaging width	215,00 mm
Packaging weight	2,56 kg
Packaging volume	8,73 dm ³
Packaging description	Carton box
Packaging quantity	4 Pcs
Packaging EAN code	8015747020381
Sub-packaging weight	0,64 kg
Sub-packaging description	Plastic packaging
Sub-packaging quantity	1 Pcs
Sub-packaging EAN barcode	8015747020398

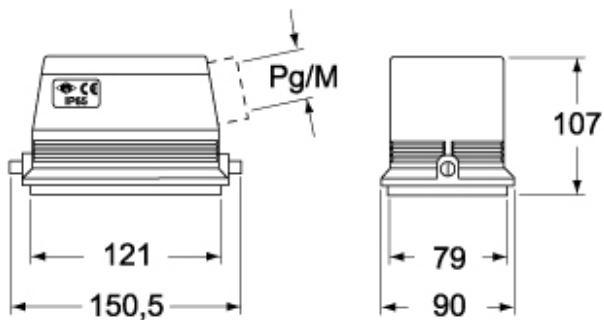
Part number

CHO 48 L

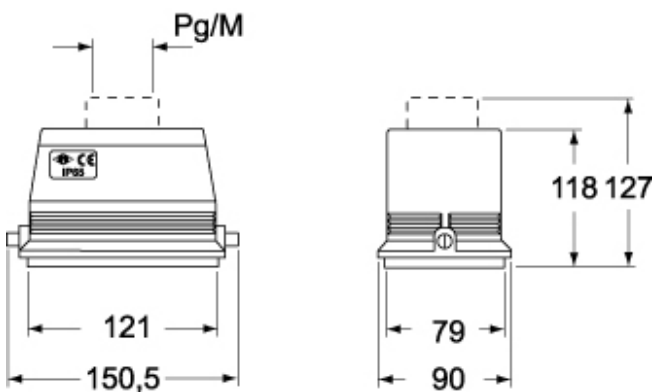


Catalogue drawings

CHO L - MHO L - MFO L



CHV L - MHV L - MFV L



Notes

Dimensions shown in mm are not binding and may be changed without notice.