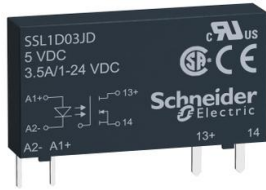


Product datasheet

Specifications



solid state relay, Plug-in, input
15-30 V DC, output 1-24 V DC,
3.5A

SSL1D03BD

Main

Range Of Product	Harmony Solid State Relays
Product Or Component Type	Solid state relay up to 10 A
Device Short Name	SSL
Network Number Of Phases	1 phase
Output Switching Mode	DC switching

Complementary

Mounting Support	Socket
[In] Rated Current	3.5 A
Output Voltage	1...24 V DC
[Uc] Control Circuit Voltage	15...30 V DC
Capacitance Unbalance	1.5 pF input/output
Minimum Switching Voltage	15 V DC turn-on
Maximum Switching Voltage	10 V DC turn-off
Input Current Limits	7 mA
Input Impedance	3500 Ohm
Solid State Output Type	Mosfet output DC switching
Load Current	0.001...3.5 A
Tansient Overvoltage	30 V DC
Maximum Operating Frequency	500 Hz
Surge Current	9 A for 10 ms
Maximum Voltage Drop	<0.5 V on-state
Maximum Leakage Current	0.001 mA off-state
Response Time	0.35 ms (turn-on) 0.08 ms (turn-off)
Overvoltage Category	III
Width	5 mm
Height	28 mm
Depth	15 mm
Net Weight	0.0041 kg

Price is "List Price" and may be subject to a trade discount – check with your local distributor or retailer for actual price.

Environment

Flame Retardance	V0 conforming to UL 94
Dielectric Strength	2500 V for input/output
Pollution Degree	2
Product Certifications	UL CSA
Marking	CE
Ambient Air Temperature For Operation	-20...80 °C
Ambient Air Temperature For Storage	-20...85 °C

Packing Units

Unit Type Of Package 1	PCE
Number Of Units In Package 1	1
Package 1 Height	1.5 cm
Package 1 Width	0.5 cm
Package 1 Length	2.8 cm
Package 1 Weight	5 g
Unit Type Of Package 2	BB1
Number Of Units In Package 2	12
Package 2 Height	0.7 cm
Package 2 Width	2.5 cm
Package 2 Length	37 cm
Package 2 Weight	64 g
Unit Type Of Package 3	S01
Number Of Units In Package 3	1080
Package 3 Height	15 cm
Package 3 Width	15 cm
Package 3 Length	40 cm
Package 3 Weight	6.042 kg

Sustainability

Green Premium™ label is Schneider Electric's commitment to delivering products with best-in-class environmental performance. Green Premium promises compliance with the latest regulations, transparency on environmental impacts, as well as circular and low-CO₂ products.

Guide to assessing product sustainability is a white paper that clarifies global eco-label standards and how to interpret environmental declarations.

[Learn more about Green Premium >](#)

[Guide to assess a product's sustainability >](#)



Transparency RoHS/REACH

Well-being performance

Mercury Free

RoHS Exemption Information Yes

Certifications & Standards

Reach Regulation [REACH Declaration](#)

Eu RoHS Directive Pro-active compliance (Product out of EU RoHS legal scope)

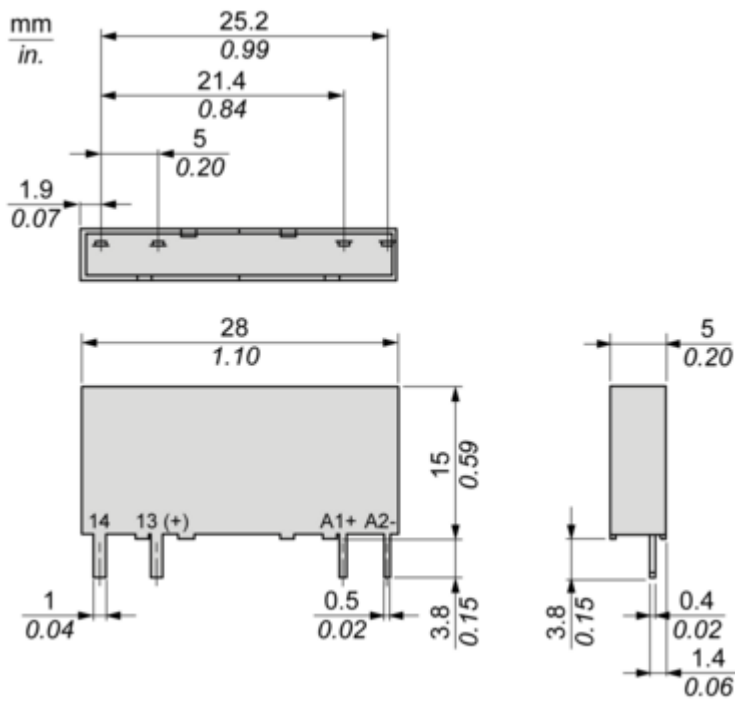
China RoHS Regulation [China RoHS declaration](#)

Environmental Disclosure [Product Environmental Profile](#)

Circularity Profile [End of Life Information](#)

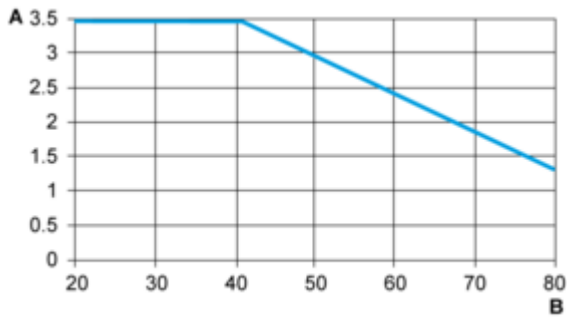
Dimensions Drawings

Dimensions



Performance Curves

Derating Curves



A : Load Current (Amperes)

B : Ambient Temperature (°C)