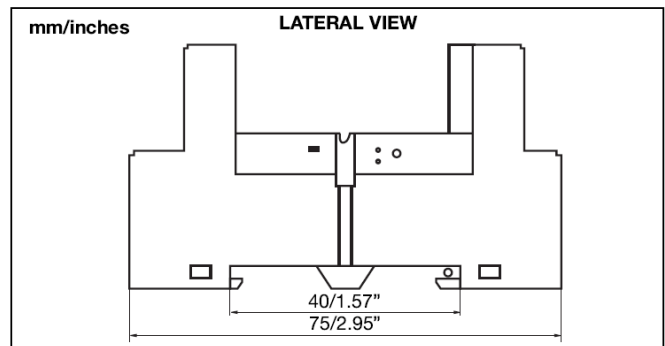
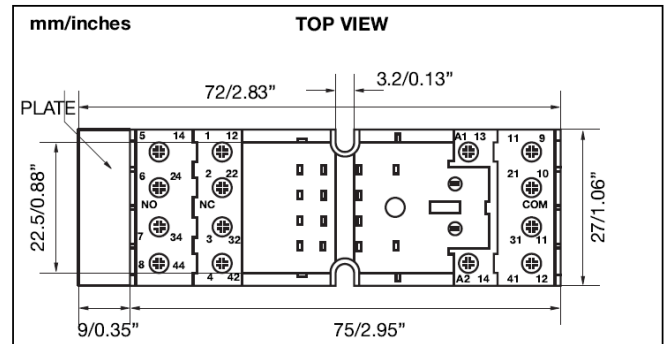


Sockets for RMI Relays

ZMI 2NA – ZMI 4NA



General data

Socket Material	PA66
Socket colour	PANTON 427
Contact Material	Brass
Contact surface	Tin
Terminals	Brass
Terminal type	H65
Screws	Carbon steel
Screw type	1018

UL Rating	UL94-V2
Operating Temp.	-40°C to +85°C (-40°F to 185°F)
Insulation voltage	Coil to contact 4000 v/s, between contacts 2500 v/s
Creepage and Clearance	3mm
Maximum Screw torque	1.0Nm
Max Wire section	20-14 AWG / 0.5 ~ 2.5
Flex / compact wire Cable End	
Terminal Protection degree	IP20

Approvals



Ordering code 2 contacts version for RMI A 2 10 xxx with Plastic hold down spring :
Ordering code 4 contacts version for RMI A 4 5 xxx with Plastic hold down spring :

ZMI2NA / ZMI4NA
ZMI4NA

Box content: 10 sockets, 10 labels, 10 Plastic hold down springs
Box size: (W 155 x D 165 x H 70) mm Weight: 750g
(W 6.10 x D 6.50 x H 2.75) inches Weight: 26.45oz

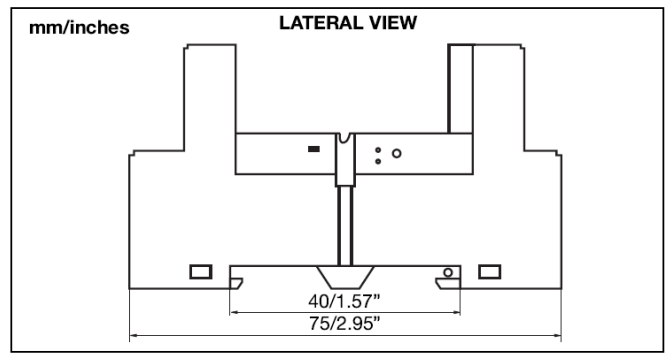
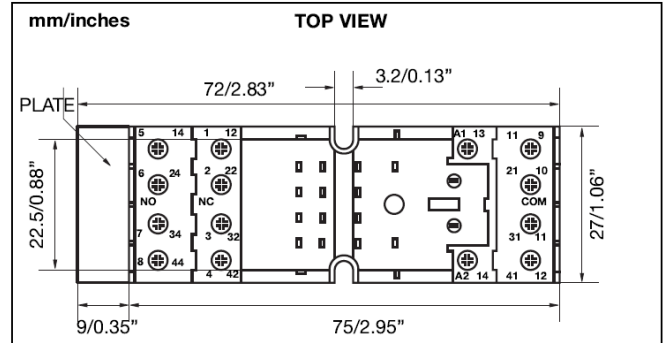
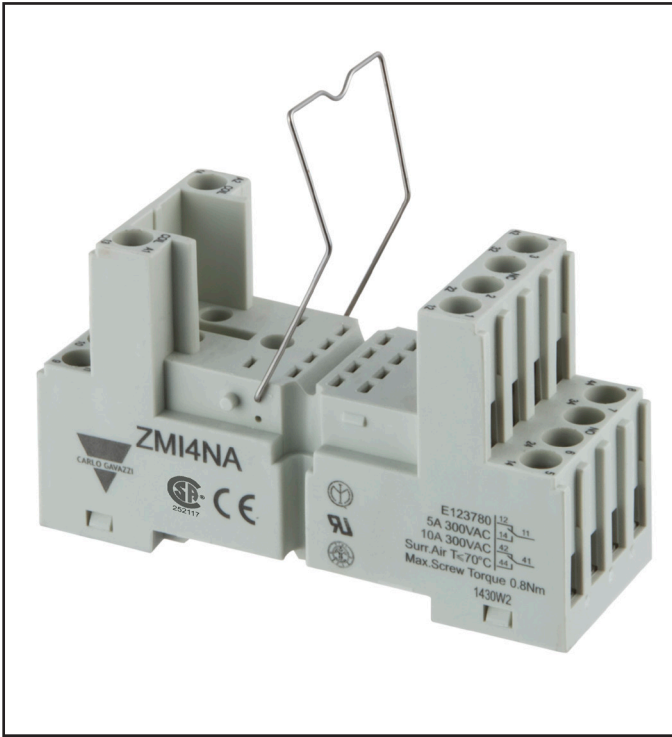
Optional Accessories (to be ordered separately if required)

Metal spare hold down Spring SZMI36M
Plastic spare hold down Spring SZMI35
Plastic spare hold down Spring 6.73.00.61.4

Labels 6.73.00.61.3
Bridging bar ZMI-BB
Modules

Sockets for RMI Relays

ZMI 2NA - ZMI 4NA Metal Spring



General data

Socket Material	PA66
Socket colour	RAL 7035/ Pantone 1C
Contact Material	Cu Sn
Contact surface	5µm tin plated
Terminals	Steel
Terminal type	Screw cage
Screws	5µm nickle plated 8.8 steel
Screw type	M3 with combi head

Ratings	10Ax2 or 5Ax4 @ 300V
UL Rating	10Ax2 or 5Ax4 @ 300V
Operating temp.	-40 to +70 °C (-40°F to 155°F)
Insulation voltage	4kV
Creepage and Clearance	3.2mm, 1.6mm min.
Maximum Screw torque	0.8 Nm
Max Wire section	2.5mm ² (14AWG)
Flex / compact wire	
Cable End	
Terminal Protection degree	IP 20

Approvals



Ordering code 2 contacts version for RMI A 2 10 xxx with Metal hold down spring :
 Ordering code 4 contacts version for RMI A 4 5 xxx with Metal hold down spring :

ZMI2NA-M / ZMI4NA-M
 ZMI4NA-M

Box content: 10 sockets, 10 labels, 10 Metal hold down springs
 Box size: (W 155 x D 165 x H 70) mm Weight: 735g
 (W 6.10 x D 6.50 x H 2.75) inches Weight: 26oz

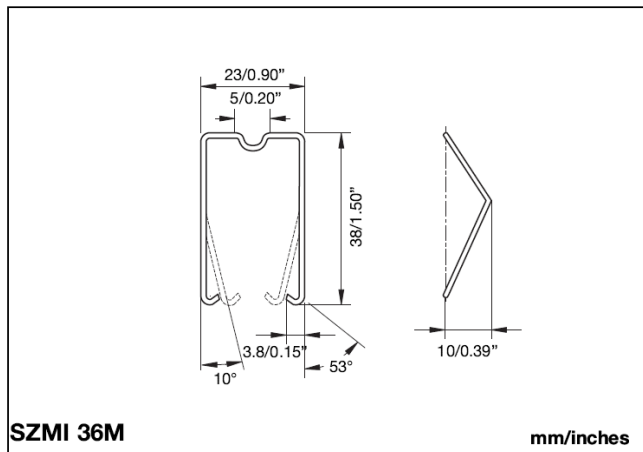
Optional Accessories (to be ordered separately if required)

Metal spare hold down Spring SZMI36M
 Plastic spare hold down Spring SZMI35
 Plastic spare hold down Spring 6.73.00.61.4

Labels 6.73.00.61.3
 Bridging bar ZMI-BB
 Modules

Optional Springs for ZMI series

SZMI 36M



General data

Spring material **Stainless steel**

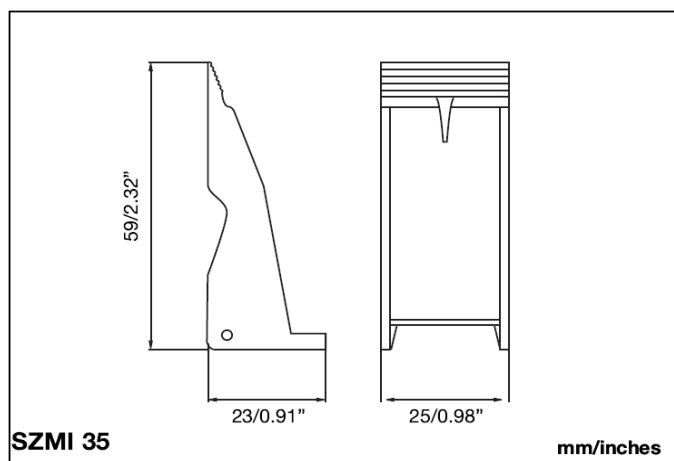
Packaging

Box content: 1 plastic bag, 10pcs.

Weight: ~5g (0.18oz)



SZMI 35



General data

Spring material **PA66 + GF (V0)**

Spring colour **RAL 7035 / Pantone 1C**

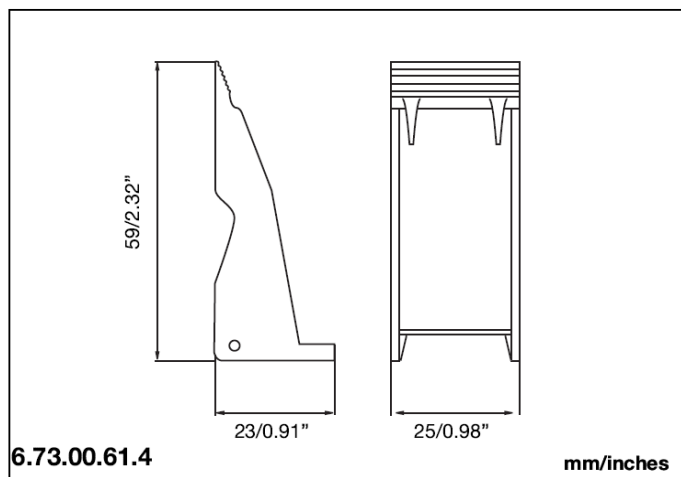
Packaging

Box content: 1 plastic bag, 10pcs.

Weight: ~20g (0.70oz)



6.73.00.61.4



General data

Spring material **PA6 + GF (V2)**

Spring colour **RAL 7035 / Pantone 1C**

Packaging

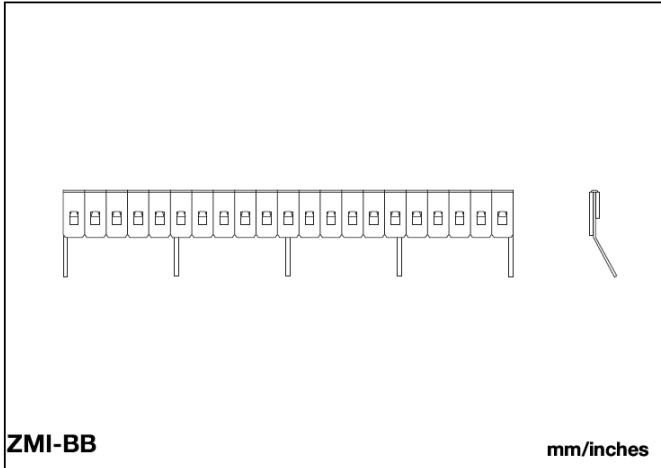
Box content: 1 plastic bag, 10pcs.

Weight: ~20g (0.70oz)



Optional sockets bridging bars

ZMI-BB



General data

Plastic insulator material	PA66 + GF (V0)
Plastic insulator colour	Black
Metal jumper	Tinned copper

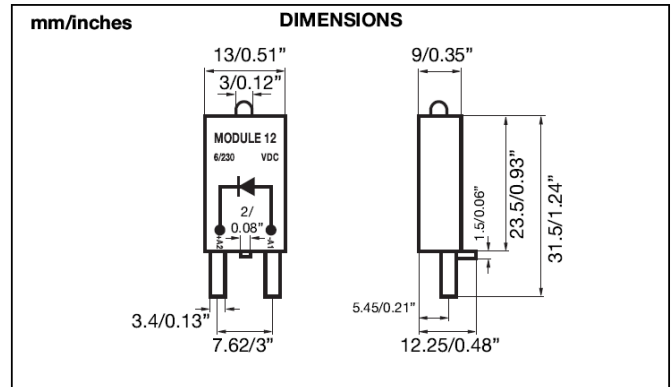
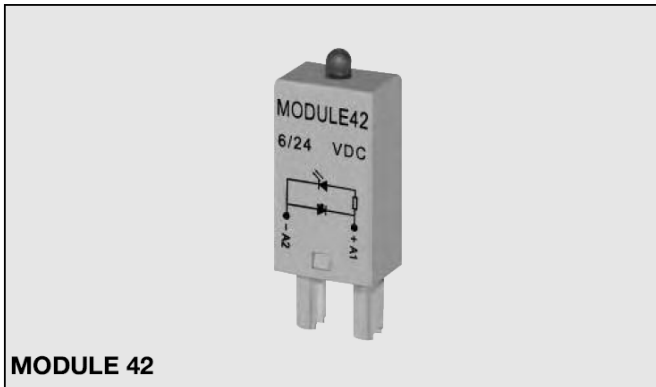
Packaging

Box content: 1 plastic bag, 10pcs.
Weight: ~50g (~1.76oz)



Optional Function Modules

Modules for ZMI and ZD sockets



Approvals



European low-voltage
directive compliant



General data

Module material	PA66+GF (V0)
Module colour	RAL 7035 / Pantone 1C

Packaging

Box content: 1 bag, 100pcs.
Box size: W 160 x D 70 x H 80 mm Weight: ~350g
(W 6.30 x D 2.75 x H 3.15) inches Weight: ~12.3oz

Types and electrical configurations

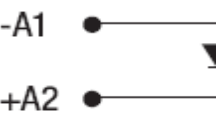
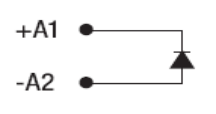
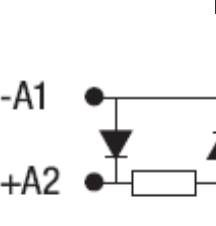
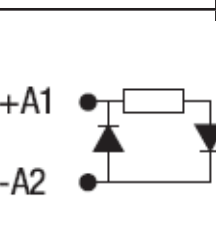
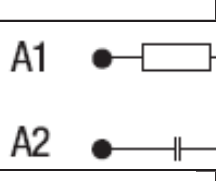
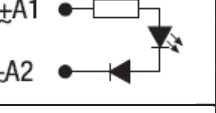
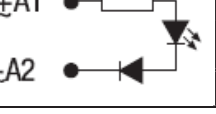
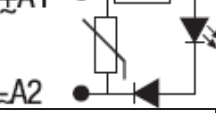
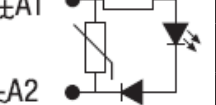
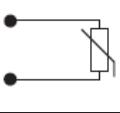
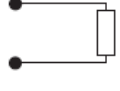
Diagram	Type	Description	Operating voltage	LED colour	zzOrdering Code		Notes
					ZMI, ZD, ZMD Sockets	ZPD9, ZPD11	
	12	Free wheeling diode A2 +	6 / 230VDC	n.a.	MODULE 12	MODULE 11	Only for DC relays
	22	Free wheeling diode A1 +	6 / 230VDC	n.a.	MODULE 22	MODULE 21	
	32	Free wheeling diode A 2 + , with LED	6 / 24VDC	Red	MODULE 32	n.a.	
			24 / 60VDC		MODULE32B		
			110 / 230VDC		MODULE32C		
			6 / 24VDC	Green**	MODULE32/G		
			24 / 60VDC		MODULE32B/G		
			110 / 230 VDC		MODULE32C/G		
	42	Free wheeling diode A 1+ , with LED	6 / 24VDC	Red	MODULE42	n.a.	
			24 / 60VDC		MODULE 42B		
			110 / 230VDC		MODULE42C		
			6 / 24VDC	Green**	MODULE42/G		
			24 / 60VDC		MODULE42B/G		
			110 / 230 VDC		MODULE42C/G		
	52	RC Filter	110 / 240 VAC	n.a.	MODULE 52	MODULE 51	Only for AC relays
		RC Filter	6 / 24 VAC		MODULE 52B	MODULE 51B	
		RC Filter	24 / 60 VAC		MODULE 52 D	MODULE 51D	
	62	Signalling LED	6 / 24V	Red	MODULE62	n.a.	Can work with AC and DC Relays
			24 / 60V		MODULE62E		
			110 / 230V		MODULE92		
	62	Signaling LED	6 / 24V	Green**	MODULE62/G		
			24 / 60V		MODULE62/G		
			110 / 230V		MODULE92/G		
	62	Signalling LED, with Varistor	6 / 24V	Red	MODULE62C		
			24 / 60V		MODULE62D		
			110 / 230V		MODULE92C		
	62	Signalling LED, with Varisotr	6 / 24V	Green**	MODULE62C/G		
			24 / 60V		MODULE62D/G		
			110 / 230V		MODULE92C/D		

Diagram	Type	Description	Operating voltage	LED colour	zzOrdering Code		Notes
					ZMI, ZD, ZMD Sockets	ZPD9, ZPD11	
 A1 A2	72	Varistor	6 / 24VAC	n.a.	MODULE 72	MODULE 71	
	82		115VAC		MODULE 72 A	MODULE 71 A	
			230VAC		MODULE 82	MODULE 81	
 A1 A2	102	Resistor	110 / 230VAC	n.a.	MODULE 102	n.a.	

Installation Operations

